



1-DOOR CENTRAL UNITS READ/WRITE

- ✔ To control an isolated door
- ✔ Cost-effective
- ✔ Ideal for secondary doors



03-0103-XX 1-door central unit



VANDAL-RESISTANT



SUITABLE FOR EVERYONE



REMOTE MANAGEMENT ONLINE
www.intratone.com



TIP

Removable memory / backup to download from USB key programmer

MANAGEMENT MODE

Read/Write	•
1 door	•

FUNCTIONS

Compatible with competing MIFARE badges	no
Masterkey	•
Open access time slot	•
Log event*	2,000

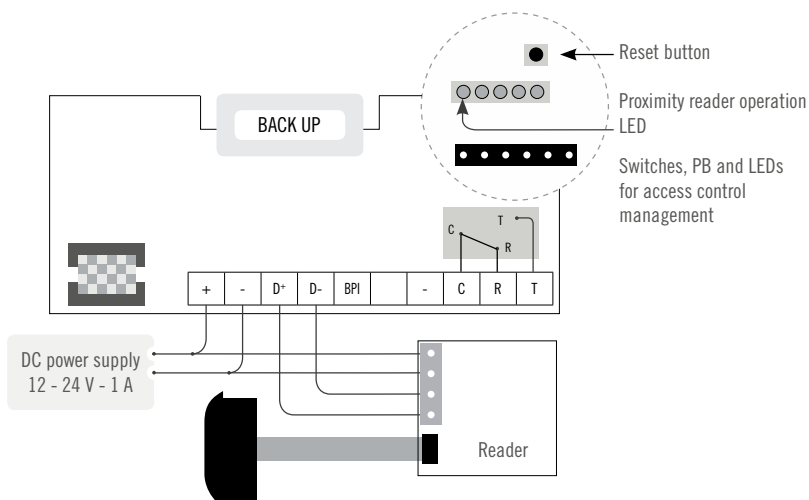
CAPACITIES

Max. number of badges / remote controls	2,500
---	-------

This central unit supports INTRATONE badges and remote controls only

** with the portable terminal (12-0111-XX)*

TECHNICAL DIAGRAM



TECHNICAL SPECIFICATIONS

POWER SUPPLY

Central unit 10 to 24V DC 1A

CABLING

Central unit - Reader
4 wires - Ø 0.5 mm - 100 m
4 wires - Ø 0.8 mm - 200 m

SIZE (L X H X D)

Reader 38 x 42 x 17.5 mm
Read head 41 x 72 x 17.5 mm
Central unit with closed box 74 x 59 x 18 mm

ENVIRONMENT

Operating temperature -20°C to + 70°C
Storage temperature -20°C to + 70°C
Central unit protection class IP40
Reader protection class IP50
Read head protection class IP68



03-0104-XX Light central unit 1 door



VANDAL-RESISTANT



SUITABLE FOR EVERYONE



REMOTE MANAGEMENT
ONLINE
www.intratone.com



MANAGEMENT MODE

Read/Write	•
1 door	•

FUNCTIONS

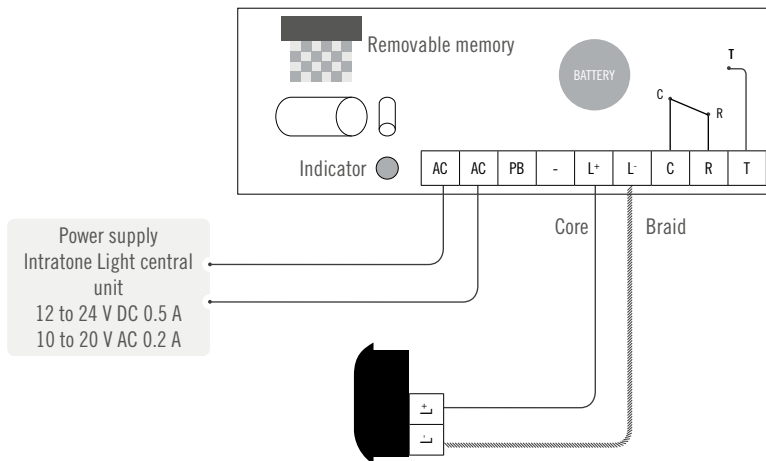
Compatible with competing MIFARE badges	no
Masterkey	•
Open access time slot	no
Log event	no

CAPACITIES

Max. number of badges / remote controls	1,000
---	-------

This central unit supports INTRATONE badges and remote controls only

TECHNICAL DIAGRAM



TECHNICAL SPECIFICATIONS

POWER SUPPLY

INTRATONE Light central unit
12 to 24 V DC 0.5A
12 to 15 V AC (2 V A min.)

CABLING

INTRATONE Light central unit
Read head 1 coaxial wire - 50 ohms - 10 m max
Door push button Ø 0.8 mm twisted - 2 m max

SIZE (L X H X D)

Read head Ø 40 x 7 mm
Central unit with closed box 74 x 59 x 18 mm

ENVIRONMENT

Operating temperature -20°C to + 70°C
Storage temperature -20°C to + 70°C
Central unit protection class IP40
Read head protection class IP68

CENTRAL UNITS RANGE

REFERENCES	READ-WRITE (RW) MANAGEMENT	OUR PRICES
03-0103-XX	1 door	
03-0104-XX	Light, 1 door	
ACCESSORIES - BOXES FOR FLUSH FITTING		
12-0101	For proximity reader, stainless steel finish	
12-0121	For proximity reader, brass finish	
ACCESSORIES - BOXES FOR SURFACE MOUNTING - STAINLESS-STEEL FINISH		
12-0107	For proximity reader (front panel included)	