

## Connection and fitting guide for the GPRS module



### CE standards:

- The GPRS unit complies with EC directive **R&TTE 1999/5/CE**: electrical safety **standard** used: **EN 60950(2001)**, EMC standard applied: **EN 301 489-3(2002)**, radio standard applied: **EN 300 330-2(2001)**.
- The GPRS module complies with GSM (Radio spectrum) standards **EN 301 511** and **3GPP 51.010-1**.
- The GPRS module complies with EMC standards **EN 301 489-1** and **EN 301.489-7**

### Cabling:

- The cables connected to the central unit must not be placed in the vicinity of other sources of electrical power (e.g. mains power supply).
- 3-pair twisted cables 0.5mm minimum.

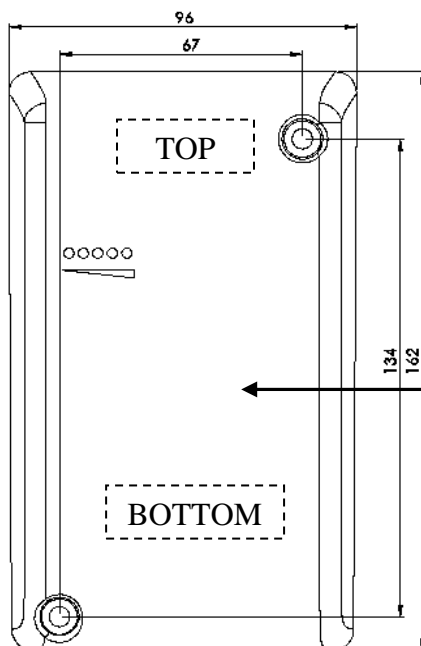
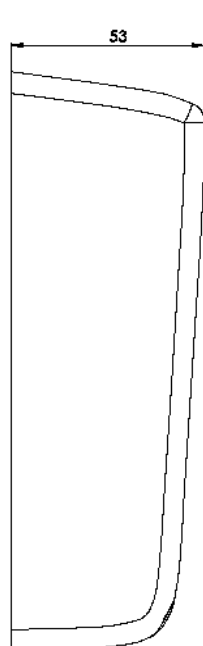
### Operating warranty:

- The GPRS unit is guaranteed for a temperature range between  $-20^{\circ}\text{C}$  and  $+70^{\circ}\text{C}$  and for relative humidity not exceeding 70%.
- The flap on the unit must be turned down in order to protect the block from rainwater ingress.



### End-of-life product recycling:

The receiver and its accessories must not be disposed of with unsorted municipal waste, but must follow the WEEE (Waste Electrical and Electronic Equipment) collection and recycling channel.



The LEDs on the GPRS module display the reception quality of the surrounding GPRS network signal:

"The more LEDs lit up, the better the signal".  
**Optimum performance is achieved with at least 3 LEDs lit up.**

- Poor reception can lead to an inability to make calls or perform updates. We therefore advise that you conduct several tests in order to find the location with the best reception (the GPRS module can be installed 100m away).
- The GPRS module can be installed outside as well as inside.
- **NEVER PUT THE UNIT INSIDE A METAL BOX!**

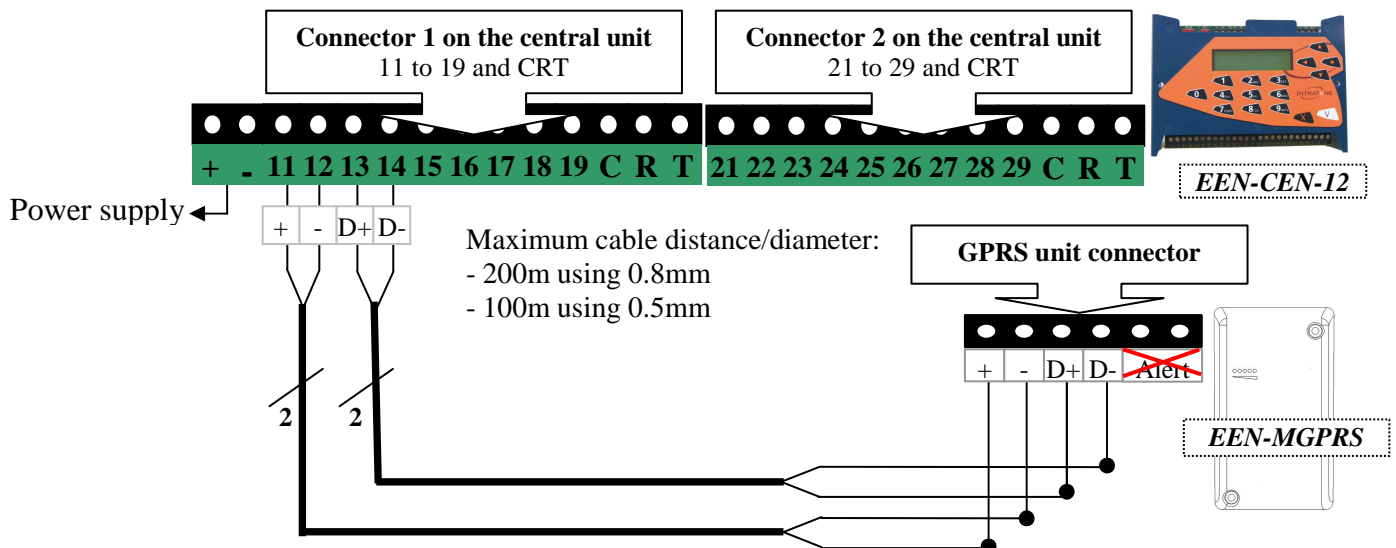




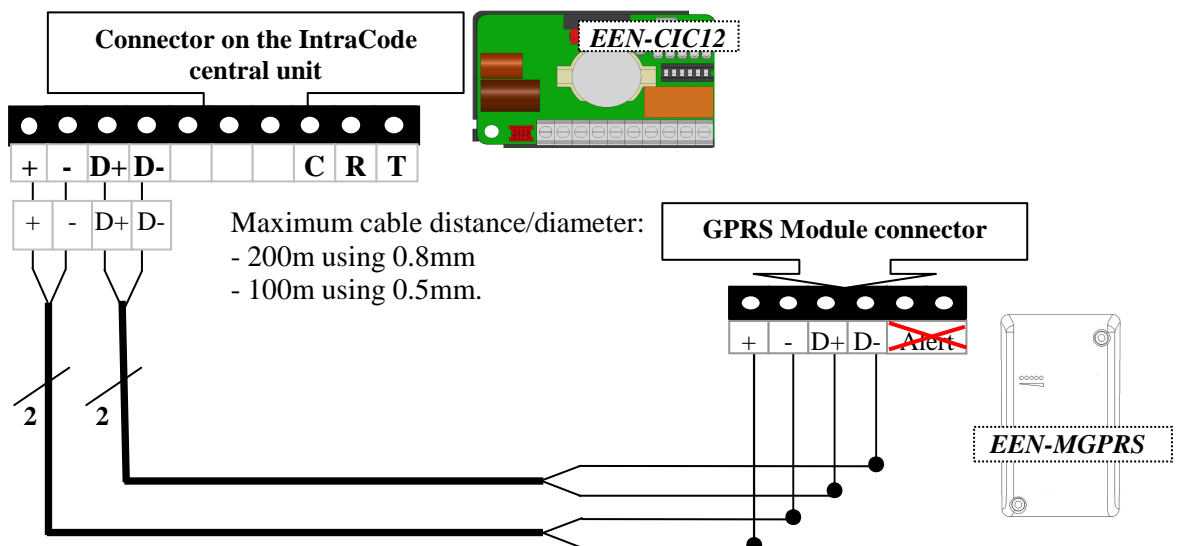
**The GPRS module is exclusively for Data (no voice). It does not therefore work with a call panel!**

### Connecting the GPRS module to an Intratone Residential central unit:

Always connect the GPRS module to terminals 11 to 14 of the EEN-CEN12 central unit



### Connecting the GPRS module to an IntraCode central unit:



**Warning: The "Alert" terminals on the GPRS module are operational only if you connect the GPRS module to a central unit.**

**Only the alert terminals on the central units may be configured in this case.**

### Plug-in terminals on the GPRS module

1. Connect the 6 wires such that THE SCREWS ON THE PLUG-IN TERMINALS POINT DOWNWARDS.
2. Plug the terminals into the 6 pico-terminals on the module.
3. Turn the installation on and check the status of the LEDs on the module.

