

Central unit installation guide



LIGHT

Central unit's time setting^(*):

The INTRATONE Light's time has been set in the factory, allowing immediate operation with no setting necessary. If you remove or replace the battery (central unit off), the time and date will however remain in memory for one week.

Door opening settings^(*):

The INTRATONE Light is delivered ready to control a door fitted with a NO (Normally Open) pushbutton and provides a voltage-free contact (PSTN relay) for 5 seconds.

EC standards:

The INTRATONE Light complies with **the R&TTE Directive 1999/5/EC**: electrical safety **standard EN 60950(2001)** applied, **EMC standard EN 301 489-3** (2002) applied, **radio standard EN 300 330-2** (2001) applied.

Installation:

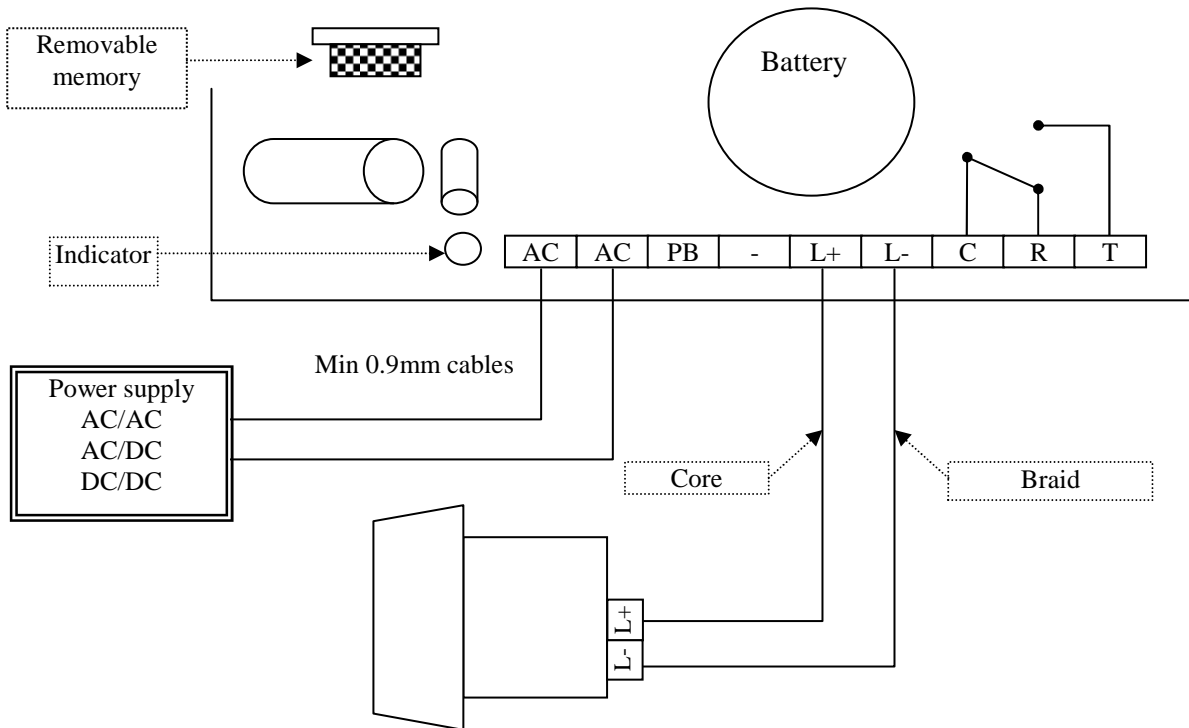
The central unit must be installed in a protected environment (in accordance with the instructions describing the level 2, protected environment, of the NNF EN 61000-4-4 standard.).

The cables connected to the central unit must not be placed in the vicinity of other sources of electrical power (e.g. mains power supply).

(*): The INTRATONE Light can be configured using the INTRATONE Portable Programming Terminal (ask your dealer for further information).



Connection of the INTRATONE Light central unit



Power supply required specifications:

- Direct current (DC) : 10V/200mA – 12.5V/160mA – 15V/130mA – 20V/100mA.
- Alternating current (AC) : 12V/2VA – 15V/2VA.

Notes about the types of cables to use for the read head:

You must use 50 Ohm coaxial cable (RG58 or RG174 type) of a maximum **30m in length**. Connect **the coaxial core** to terminals **L+** of the diagram and **the braid** to the **L-** of the diagram. But shielded twisted pair (0.6mm min. diameter) can also be used if the length between the read head and the central unit is not greater than **10m**.

Behaviour of the central unit's LED

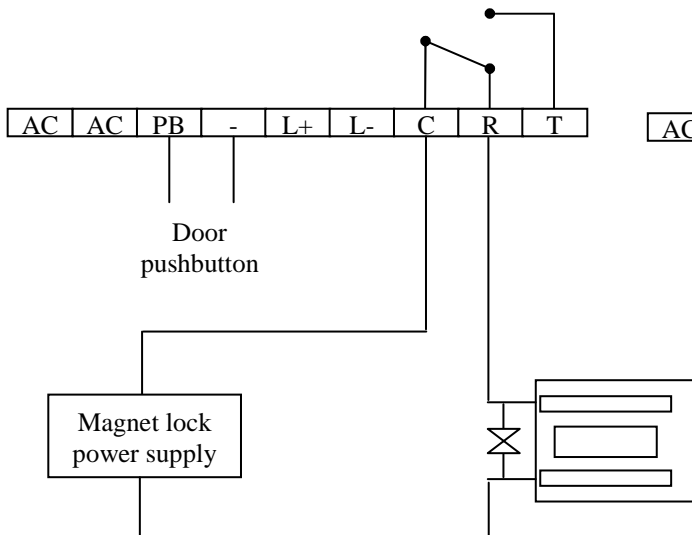
- Slow flashing: The central unit is operational.
- Fast flashing: Read head connection fault (check the coaxial cable) or defective memory.

Removable memory

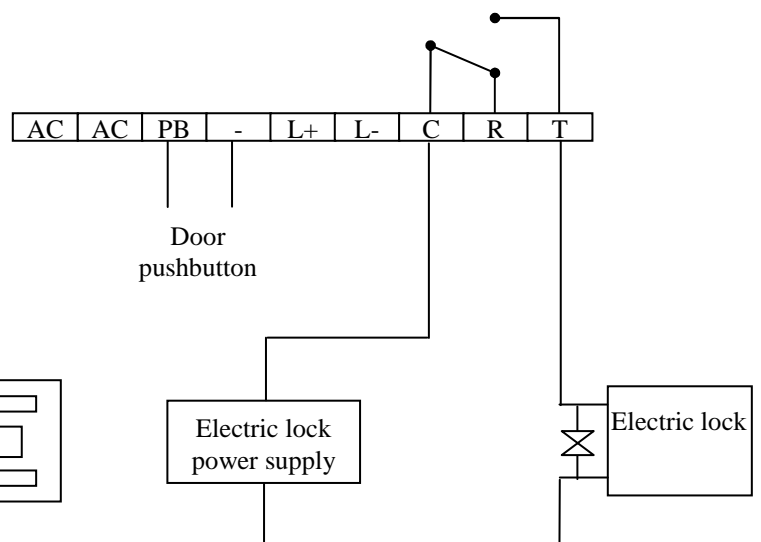
The removable memory contains all the central unit's operating data (Keys, etc.) This memory enables the central unit to be replaced quickly.

WARNING: *If the memory is removed, the central unit will no longer work.*

Connection to a magnet lock



Connection to an electric lock



At rest, the magnet is powered and the door is locked. When the relay is activated by the central unit, the electric current releases the magnet lock (by pressing on a pushbutton or the use of an authorised badge).

At rest, the lock striker keeps the door locked mechanically. When the relay is activated by the central unit, the electric current releases the electric lock (by pressing on a pushbutton or the use of an authorised badge).

IMPORTANT NOTES

The magnet or electric lock power supply voltage must be less than 42 V AC or 60 V DC. If the power supply voltage exceeds these values, use an intermediate relay (of the correct capacity) to control the electric lock.

The electrical link (0.9mm cables) between the central unit's entry pushbutton and the door pushbutton must be less than 3m in length.

A transil diode is required to protect the central unit from voltage spikes caused by cutting off power to the electric or magnet lock. This diode must be connected as close as possible to the electric lock or magnet and must have the following characteristics:

- Bidirectional.
- The limit value must be greater than the electric or magnet lock power supply voltage.

ⓄBefore you leave:

- Have you checked the central unit LED (slow flash)?
 - The pushbutton (opening of the door)?
 - Have you checked whether:
 - An authorised **key** lights the read head **LED** green when opening the door.
 - An unknown **key** lights the read head **LED** red.
- If this is not the case then you have reversed the L+/L- connection (see diagram)

Reloading the central unit's program

WARNING: IT IS THE BUILDING'S MANAGERS' RESPONSIBILITY TO ENSURE THAT PERSONS WHO UPDATE THE PROGRAM ARE AUTHORISED TO DO SO.

The program embedded in an INTRATONE Light central unit can be reloaded without having to be returned to the dealer or manufacturer. To reload the embedded program, proceed as follows:

1. Procure a Portable Programming Terminal as well as a NICOPROG (memory containing the program). New program versions are indicated on the NICOPROG.
2. Switch off the central unit.
3. Disconnect the removable memory from the central unit and connect the NICOPROG in its place.
4. Switch on the central unit. The central unit's indicator freezes for about 5 seconds (the time required to transfer the program to the central unit).
5. Wait until the central unit's indicator flashes quickly (which indicates that the program has been properly loaded), then again switch off the central unit.
6. Disconnect the NICOPROG and replace it with the memory that contains your data.
7. Switch the central unit back on. **The central unit's program has been updated.**
8. Check using the Portable Programming Terminal that the software versions in the central unit are correct (versions identical to those of the NICOPROG).

NOTE: IF THE LINK IS INTERRUPTED DURING THE UPLOAD, THE PREVIOUS VERSION OF THE PROGRAM IN THE CENTRAL UNIT REMAINS ACTIVE AND NO DATA (SERVICES, DATE, TIME, ETC.) IS CHANGED.

EC compliance certificates: