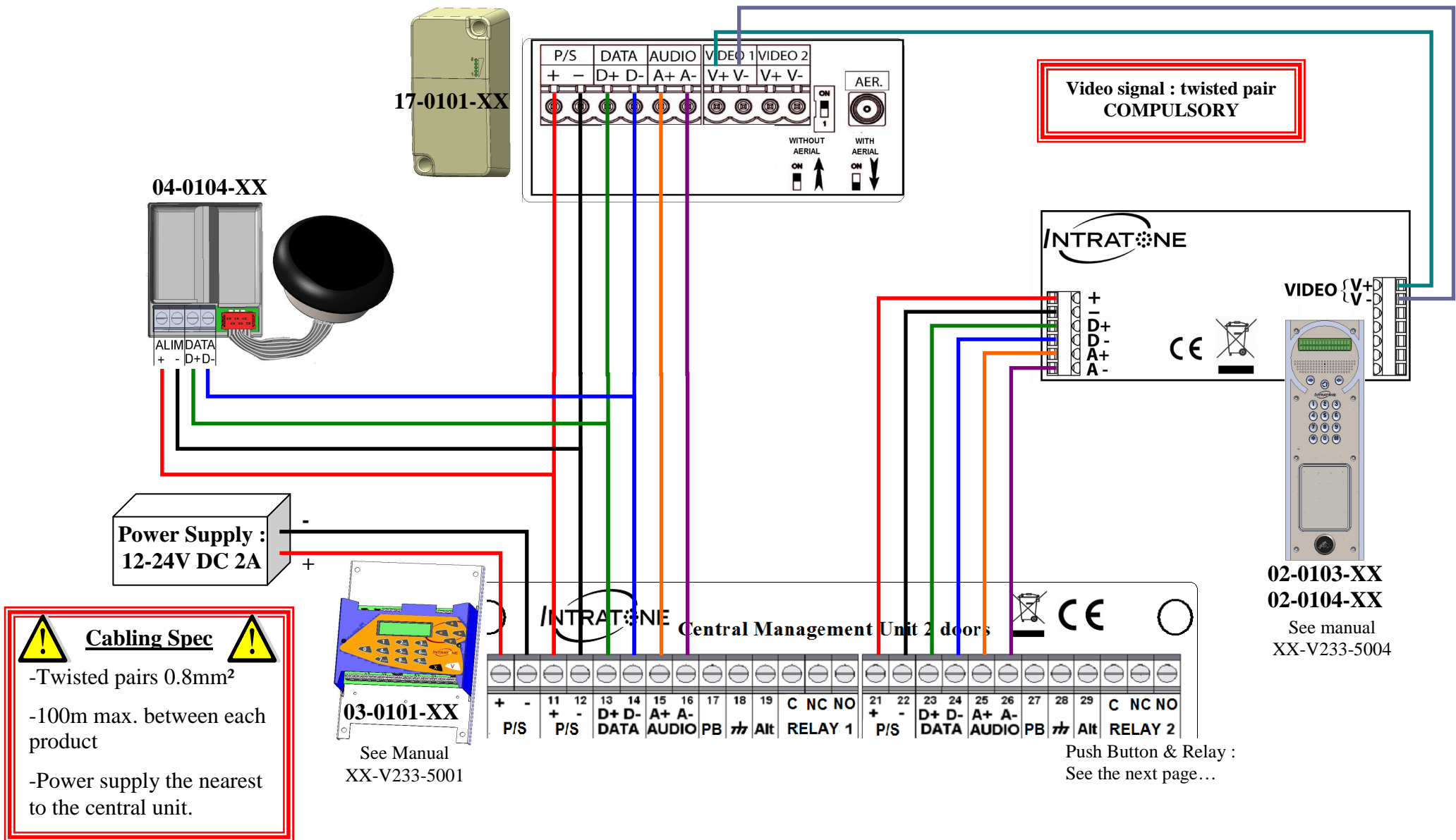


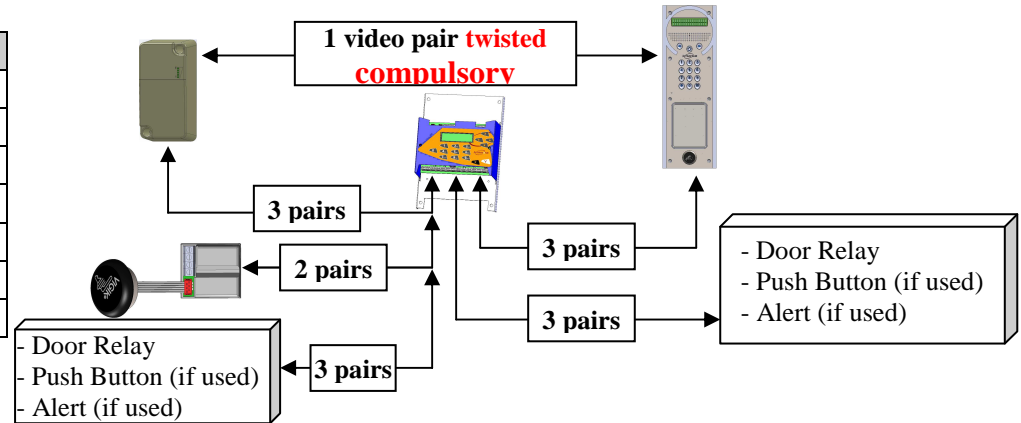
# CABLING DIAGRAM – 02-0109-XX/02-0111-XX + 04-0104-XX

## VIDEO 3G 1000 NAMES WITH KEY SAFE INTEGRATED + PROXIMITY READER

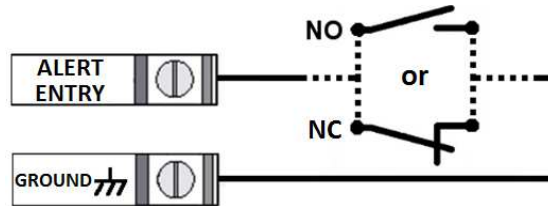


## NUMBER OF PAIRS

Bornes	Details	Nb Pairs
+ / -	Power Supply	1
D+ / D-	Data Bus	1 twisted
A+ / A-	Audio Bus	1 twisted : <b>compulsory</b>
V+ / V-	Video Bus	1 twisted : <b>compulsory</b>
Alt / Ground	Alert management	1
BP / Ground	Push Button	1
C / NO / NC	Relay	1

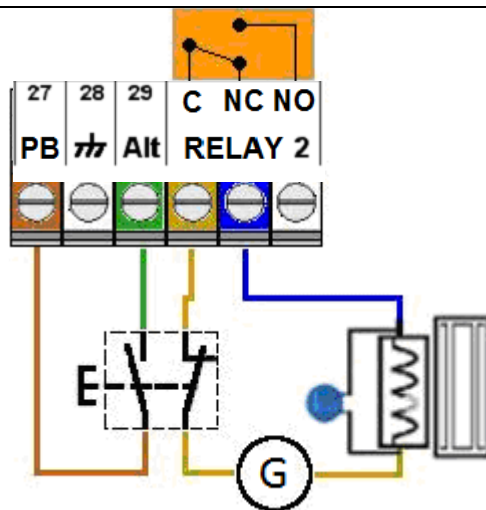


## WIRING – ALERT ENTRY / EXIT PUSH BUTTON & ACCESS DOOR

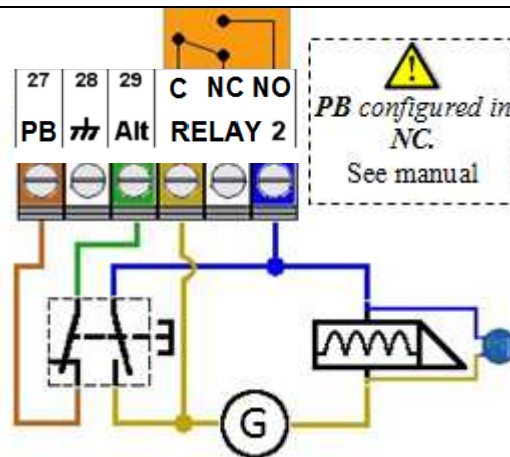


### Alert Management :

It sends an automatic mail thanks to a NO or NC dry contact input ,  
 You can set it up on the website :  
[www.intratone.com](http://www.intratone.com) in the "management website" tab.




Magnet Lock



Electric Lock

- Maximum allowed electrical supply on your relays :  
 42V-AC or 60V-DC

-  Protection Varistor for the relays :  
 included and calibrated of 12V  
**It must be cabled the nearest to the central.**

-  : Power Supply of the lock