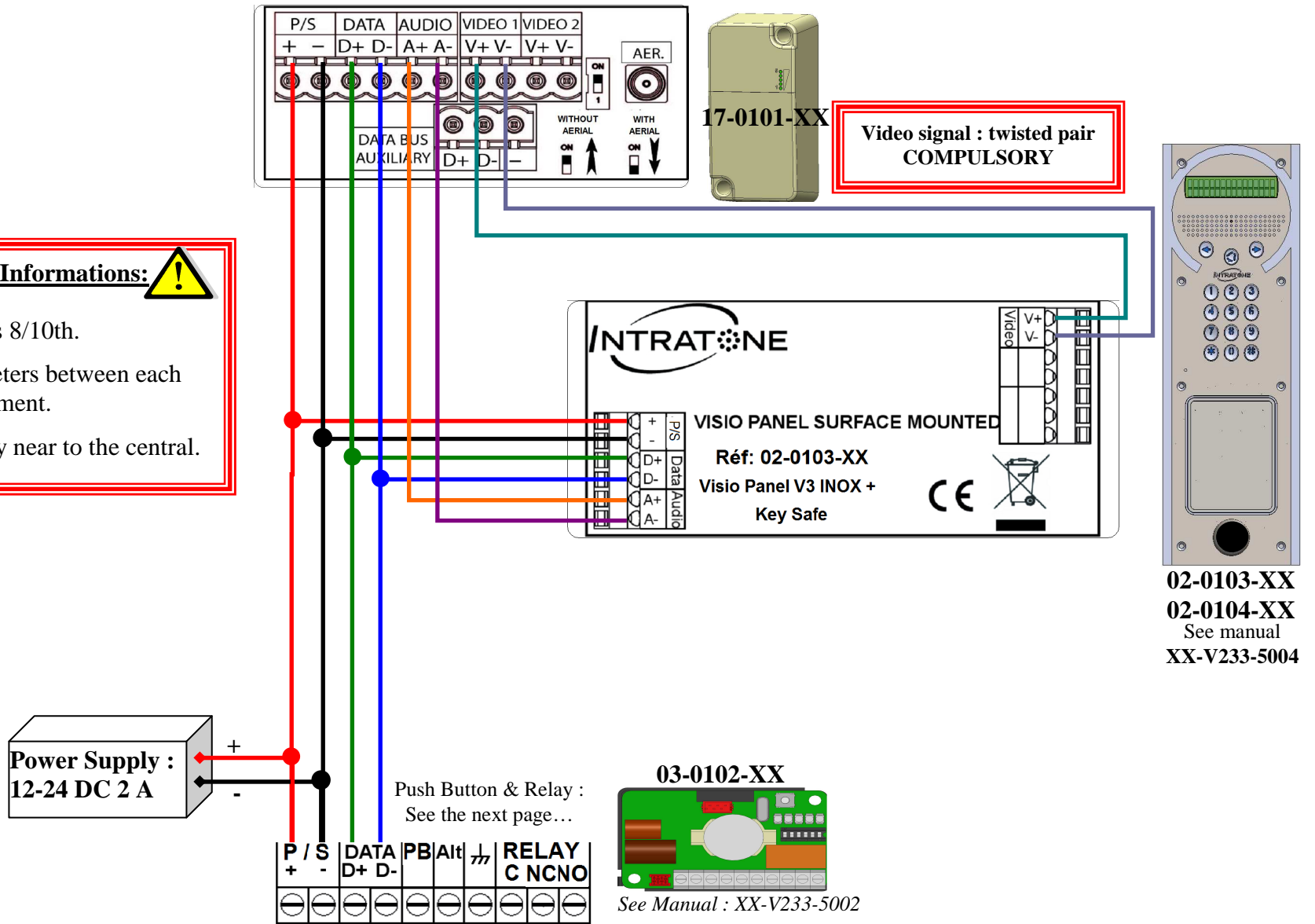


CABLING DIAGRAM : 02-0110-XX/02-0112-XX : INTRACODE VIDEO 100 NAMES KIT

⚠ Wiring Informations: ⚠

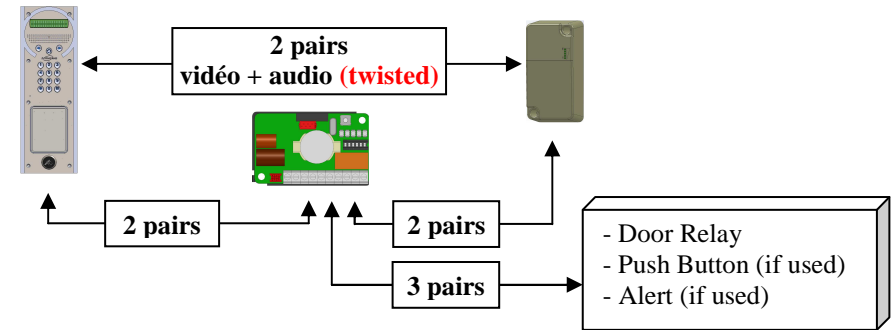
- Twisted Pairs 8/10th.
- Up to 100 meters between each parts of equipment.
- Power Supply near to the central.



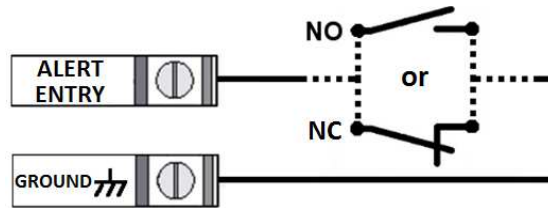
Cabling Diagram : 02-0110-XX / 02-0112-XX

NUMBER OF PAIRS

Bornes	Details	Nb Pairs
+ / -	Power Supply	1
D+ / D-	Data Bus	1 twisted
A+ / A-	Audio Bus	1 twisted : compulsory
V+ / V-	Video Bus	1 twisted : compulsory
Alt / Ground	Alert management	1
BP / Ground	Push Button	1
C / NC / NO	Relay	1

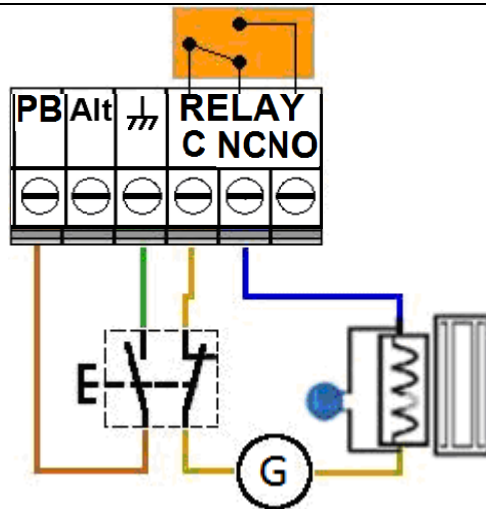


WIRING – ALERT ENTRY / EXIT PUSH BUTTON & ACCESS DOOR

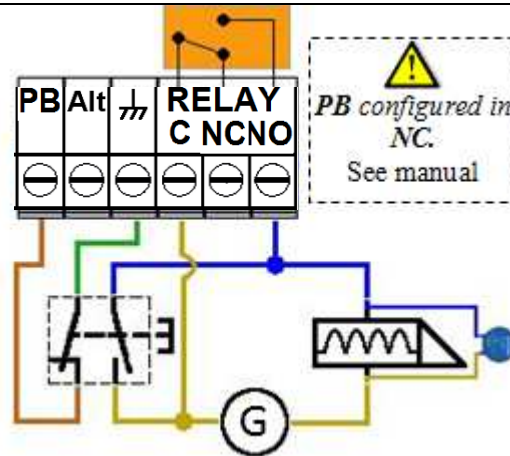


Alert Management :

It sends an automatic mail thanks to a NO or NC dry contact input ,
You can set it up on the website :
www.intratone.com in the "management website" tab.



Magnet Lock



Electric Lock

- Maximum allowed electrical supply on your relays :
42V-AC or 60V-DC

- Protection Varistor for the relays :
included and calibrated of 12V
It must be cabled the nearest to the central.

- : Power Supply of the lock