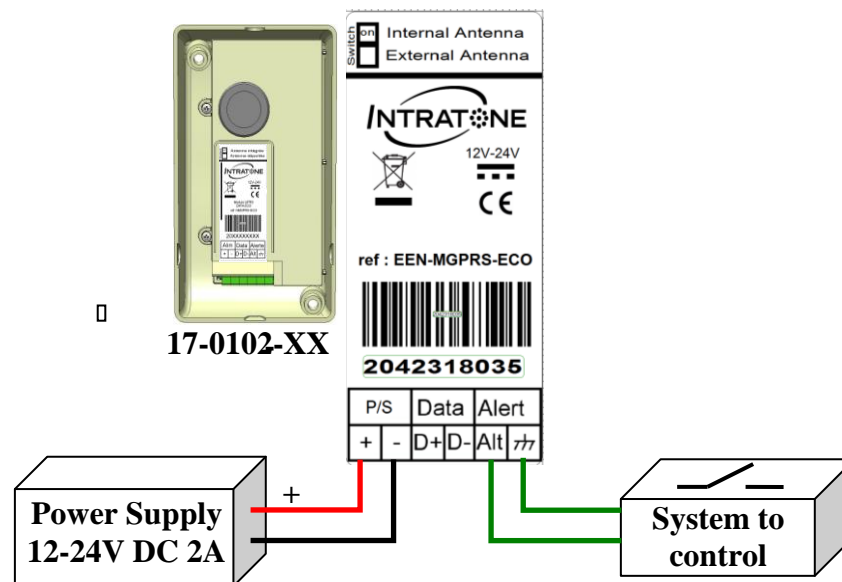
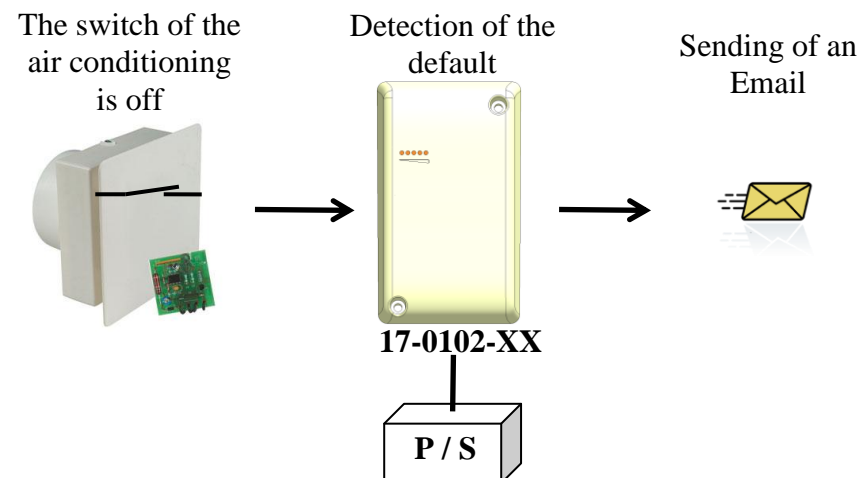
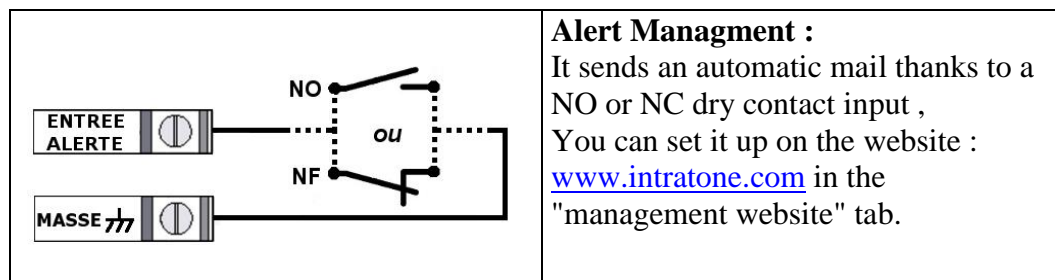


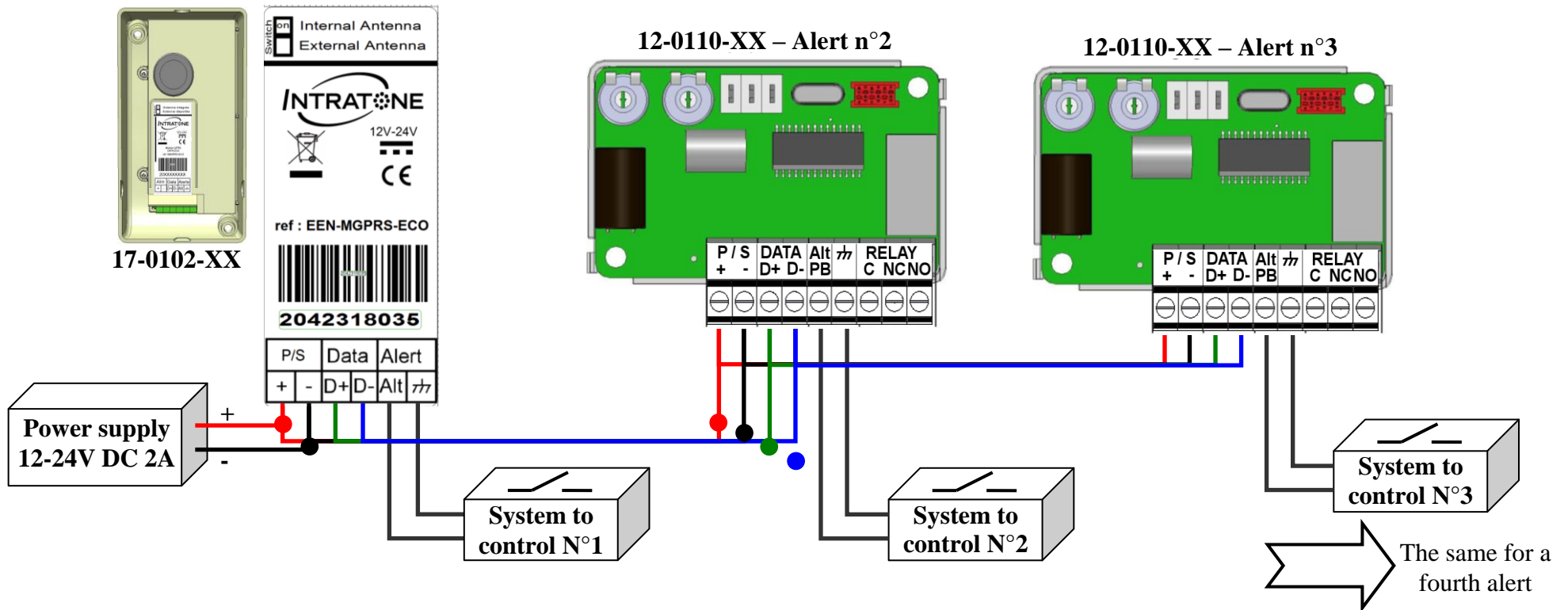
CABLING DIAGRAM – EXX-BOX ECO –AT (06-0107-XX) - TECHNICAL ALERT ECO KIT



HOW IT WORKS



OPTION : UP TO 4 MORE ALERTS WITH ONE GPRS MODULE ONLY



⚠ Do not forget to set up the switches to address the relay card ⚠

Switch 1	Switch 2	Alert n°
OFF	OFF	1 → GPRS Module
ON	OFF	2 → relay card n°1
OFF	ON	3 → relay card n°2
ON	ON	4 → relay card n°3

Note :

- the potentiometers of the relay card 12-0110-XX are not used in this application, as for the relays.
- 3 relay cards 12-0110-XX maximum per GPRS module.