



# STAND-ALONE HANDLE

✔ *Solution requiring no cabling for secondary doors*

✔ *Long battery life*

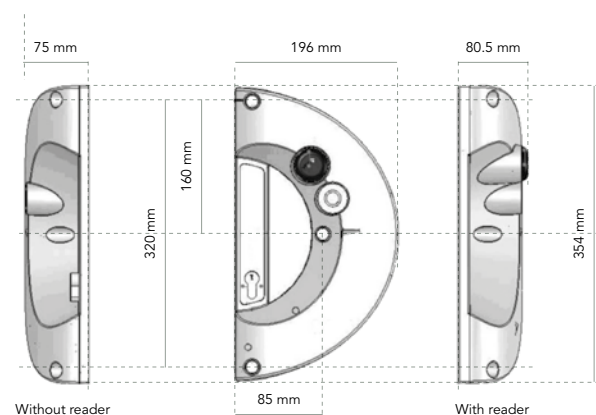


Stand-alone handle 1 or 2 badge readers - Right or left opening



REMOTE ONLINE MANAGEMENT  
[www.intratone.com](http://www.intratone.com)

## BASIC DIAGRAMS



## MANAGEMENT MODE

Read/Write	•
1 door	•

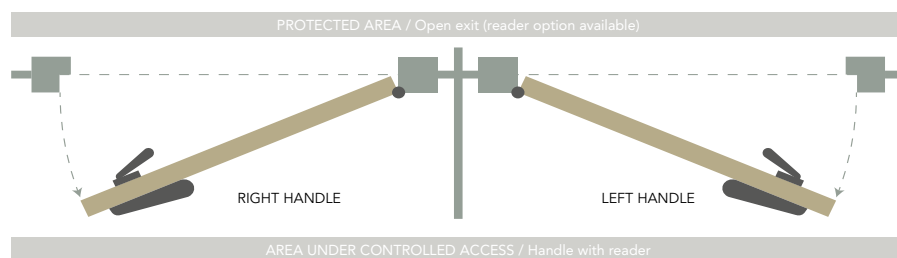
## FUNCTIONS

Power supply	3 LR20 batteries supplied
Battery life (number of procedures)	140,000
Competing MIFARE compatible badges and remote controls	no
Free access time slots	•
Log events	2,000

## CAPACITIES

Number of badges / remote controls / Masterkeys	2,500
---	-------

*Only with Intratone badges and remote controls*



## TECHNICAL SPECIFICATIONS

### POWER SUPPLY

Supplied with 3 LR20 alkaline batteries

### SIZE (L X H X D)

Handle with reader 196 x 354 x 80.5 mm  
Handle without reader 196 x 354 x 75 mm  
Net weight 5.3 kg

### ENVIRONMENT

Operating temperature 0°C to + 50°C  
Storage temperature -20°C to + 70°C  
For outdoor fitting, please contact us.

## STAND-ALONE HANDLES RANGE

REFERENCES	RIGHT OPENING	PRICES
13-0101-XX	1 badge reader	
13-0102-XX	2 badge readers	
LEFT OPENING		
13-0103-XX	1 badge reader	
13-0104-XX	2 badge readers	
ACCESSORIES		
12-0116	Back plate, no barrel	